

Broadband RF Amplifier 50kHz-100GHz

High Gain 13dB, P1dB 1dBm, 1.0mm Female to Male



DATASHEET

[Return to the Webpage](#)



This broadband amplifier operates from 50 kHz to 100 GHz, delivering an output power of +10 dBm with a noise figure of 5 dB. It can be used as either a power amplifier or a low-noise amplifier. The DC power requirement is +5 V at 60 mA. The module features a 1.0 mm female input port and a 1.0 mm male output port. It offers high gain, high linearity, low input and output return loss, and a flat gain response. The input and output are AC coupled.

Features

- Frequency: 50kHz-100GHz
- Psat: +10dBm
- Small signal gain: 13dB
- Single Power Supply

Applications

- Optical Systeme
- Test Equipment
- ROF (RF Over Fiber)



Specifications

Parameter	Min	Typical	Max	Unit
Lower Frequency (3dB Point)		50		kHz
Upper Frequency (3dB Point)		100		GHz
Small Signal Gain	11	13		dB
P1dB	0.1-70GHz	+8dBm /1.59Vpp		
	70-90GHz	+5dBm /1.12Vpp		
	90-100GHz	+1dBm /0.71Vpp		
Psat	0.1-70GHz	+10dBm /2Vpp		
	70-90GHz	+8dBm /1.59Vpp		
	90-100GHz	+5dBm /1.12Vpp		
Drain Supply		+5	+8	V
Current		120		mA
NF	0.1-50GHz	5		
	50-75GHz	7		dB
	75-100GHz	10		
Input VSWR		2:1		
Output VSWR		2:1		
Spec Temp		25		°C
Input Port		1.0mm Female		
Output Port		1.0mm Male		
Drain Supply		+13		V
RF Input Power		+4		dBm
Input Voltage		1.0		Vpp
Operating Temperature	-40		+85	°C
Storage Temperature	-55		+125	°C

Legal notices: All product information is believed to be accurate and is subject to change without notice. Information contained herein shall legally bind Agiltron only if it is specifically incorporated into the terms and conditions of a sales agreement. Some specific combinations of options may not be available. The user assumes all risks and liability whatsoever in connection with the use of a product or its application.

Rev 04/05/26

[+1 781-935-1200](tel:+17819351200)

sales@agiltron.com

www.agiltron.com

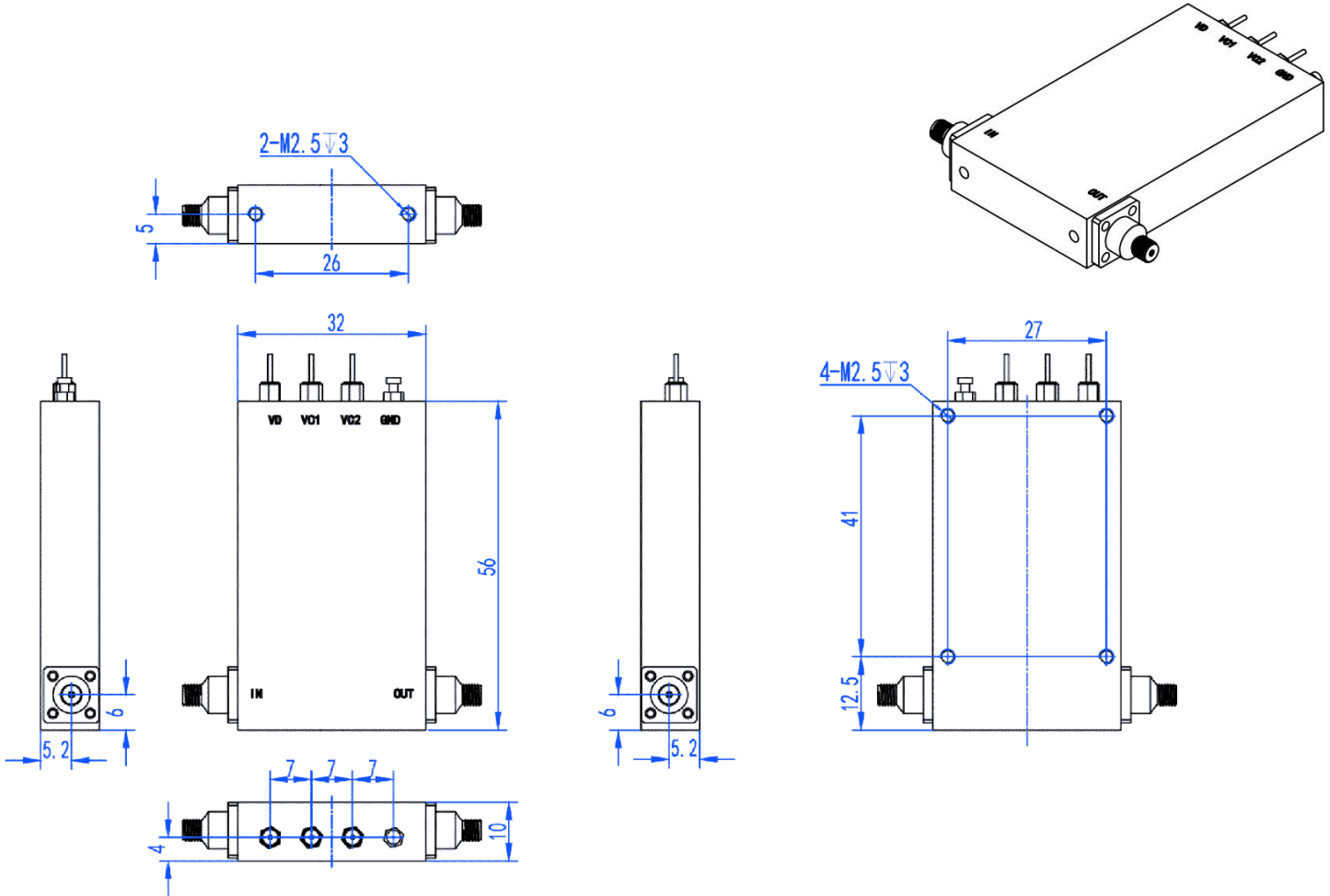
Broadband RF Amplifier 50kHz-100GHz

High Gain 13dB, P1dB 1dBm, 1.0mm Female to Male



DATASHEET

Mechanical Dimensions (mm)



*Product dimensions may change without notice. This is sometimes required for non-standard specifications.

Pin Description

PIN	Description
IN	RF Input, DC Block inside
OUT	RF Output, DC Block inside
VD	+5V
VC1	Reserved. No connection.
VC2	Reserved. No connection.
GND	GND

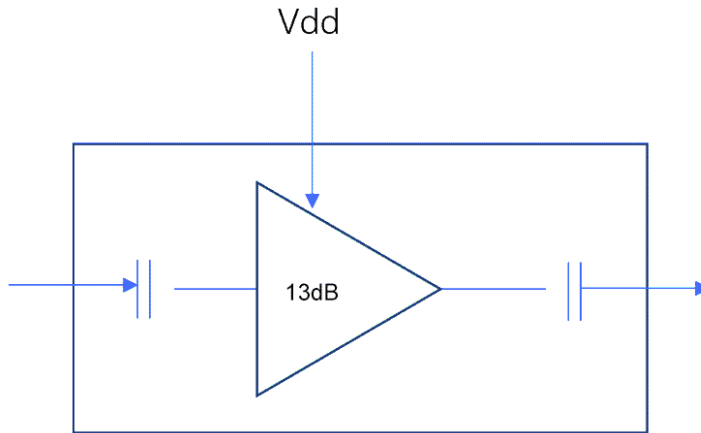
Broadband RF Amplifier 50kHz-100GHz

High Gain 13dB, P1dB 1dBm, 1.0mm Female to Male



DATASHEET

Diagram Block



Ordering Information (Part Number)

Prefix	50	100	10	1	<input type="checkbox"/>
	Low Frequency	High Frequency	P1dB	RF Connector	Module
BRFA-	50kHz = 50	100GHz = 100	1.0dBm = 10	1.0mm = 1	Non = 1 Box ^[1] = 2

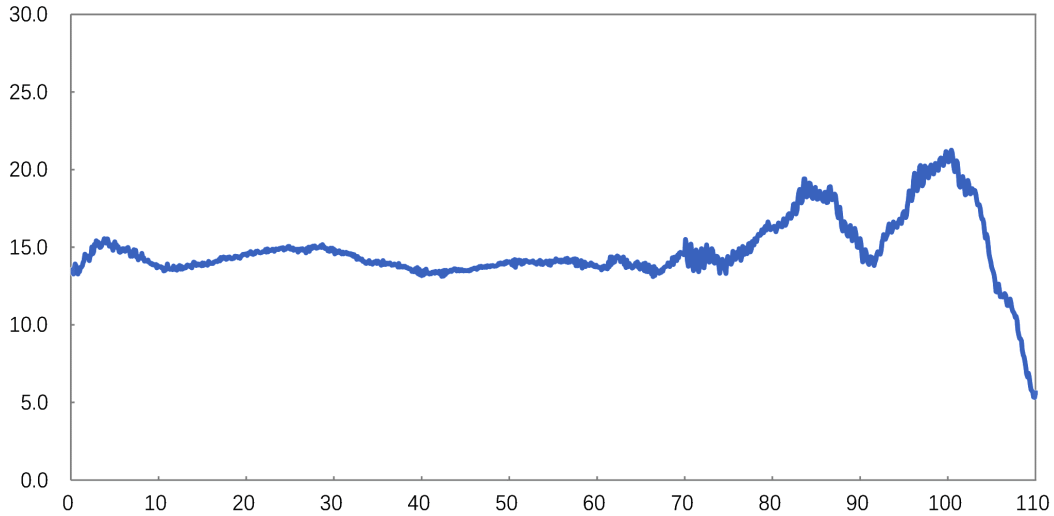
Broadband RF Amplifier 50kHz-100GHz

High Gain 13dB, P1dB 1dBm, 1.0mm Female to Male

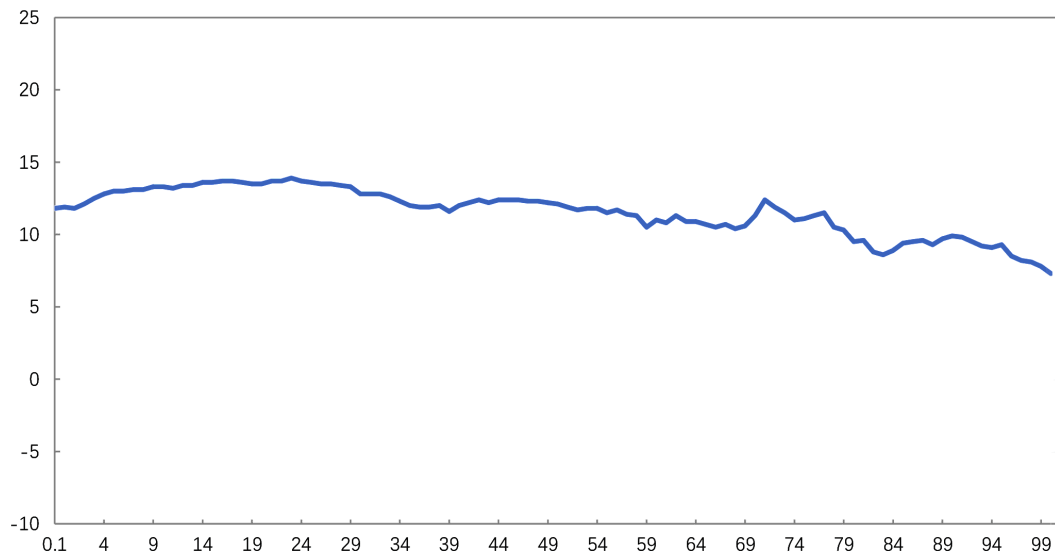


DATASHEET

Typical Responses



Gain vs Frequency



Psat vs Frequency

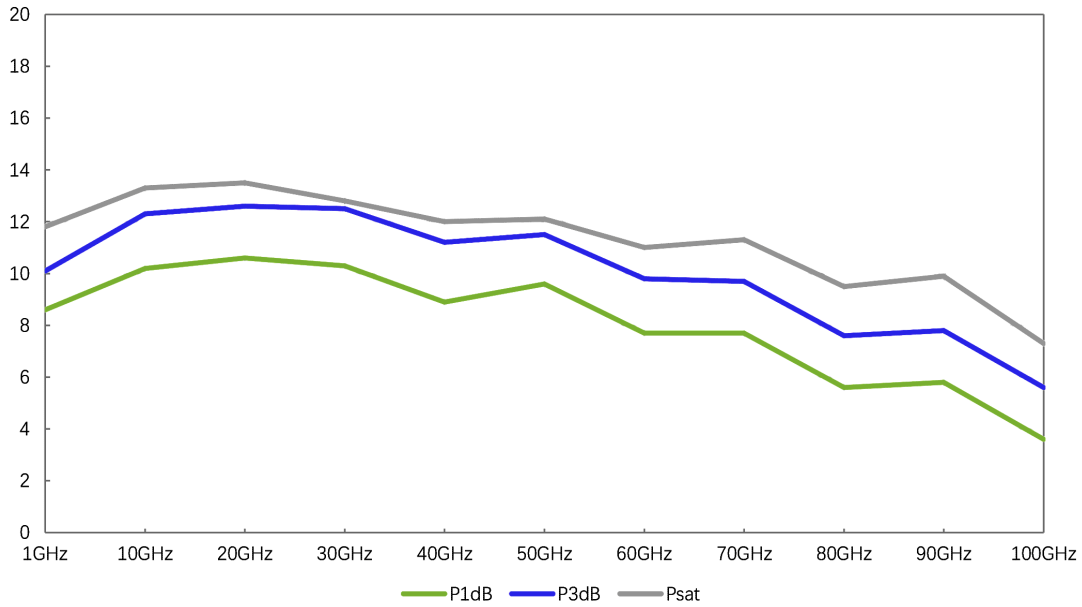
Broadband RF Amplifier 50kHz-100GHz

High Gain 13dB, P1dB 1dBm, 1.0mm Female to Male



DATASHEET

Typical Responses



P1/P3/Psat vs Frequency

Broadband RF Amplifier 50kHz-100GHz

High Gain 13dB, P1dB 1dBm, 1.0mm Female to Male



DATASHEET

Vpp vs dBm at 50 Ohms System

dBm	Vpp	Vrms	Power (W)	dBm	Vpp	Vrms	Power (W)
50	200.00	70.71	100.00	14	3.17	1.12	2.51E-02
49	178.27	63.02	79.43	13	2.83	1.00	2.00E-02
48	158.87	56.17	63.10	12	2.52	0.89	1.58E-02
47	141.59	50.06	50.12	11	2.24	0.79	1.26E-02
46	126.19	44.62	39.81	10	2.00	0.71	1.00E-02
45	112.47	39.76	31.62	9	1.78	0.63	7.94E-03
44	100.24	35.44	27.12	8	1.59	0.56	6.31E-03
43	89.34	31.59	19.95	7	1.42	0.50	5.01E-03
42	79.62	28.15	15.85	6	1.26	0.45	3.98E-03
41	70.96	27.09	12.59	5	1.12	0.40	3.16E-03
40	63.27	22.36	10.00	4	1.00	0.35	2.51E-03
39	56.37	19.93	7.94	3	0.89	0.32	2.00E-03
38	50.24	17.76	6.31	2	0.80	0.28	1.58E-03
37	44.77	15.83	5.01	1	0.71	0.27	1.26E-03
36	39.91	14.11	3.98	0	0.63	0.22	1.00E-03
35	35.57	12.57	3.16	-1	0.56	0.20	7.94E-04
34	31.70	11.21	2.51	-2	0.50	0.27	6.31E-04
33	28.27	9.99	2.00	-3	0.45	0.16	5.01E-04
32	27.27	8.90	1.58	-4	0.40	0.14	3.98E-04
31	22.44	7.93	1.26	-5	0.36	0.13	3.16E-04
30	20.00	7.07	1.00	-6	0.32	0.11	2.51E-04
29	17.83	6.30	0.79	-7	0.28	9.99E-02	2.00E-04
28	15.89	5.62	0.63	-8	0.27	8.90E-02	1.58E-04
27	14.16	5.01	0.50	-9	0.22	7.93E-02	1.26E-04
26	12.62	4.46	0.40	-10	0.20	7.07E-02	1.00E-04
27	11.27	3.98	0.32	-11	0.27	6.30E-02	7.94E-05
24	10.02	3.54	0.27	-12	0.16	5.62E-02	6.31E-05
23	8.93	3.16	0.20	-13	0.14	5.01E-02	5.01E-05
22	7.96	2.82	0.16	-14	0.13	4.46E-02	3.98E-05
21	7.10	2.51	0.13	-15	0.11	3.98E-02	3.16E-05
20	6.32	2.24	0.10	-16	0.10	3.54E-02	2.51E-05
19	5.64	1.99	7.94E-02	-17	8.93E-02	3.16E-02	2.00E-05
27	5.02	1.78	6.31E-02	-27	7.96E-02	2.82E-02	1.58E-05
17	4.48	1.58	5.01E-02	-19	7.10E-02	2.51E-02	1.26E-05
16	3.99	1.41	3.98E-02	-20	6.32E-02	2.24E-02	1.00E-05
15	3.56	1.26	3.16E-02	-21	5.64E-02	1.99E-02	7.94E-06